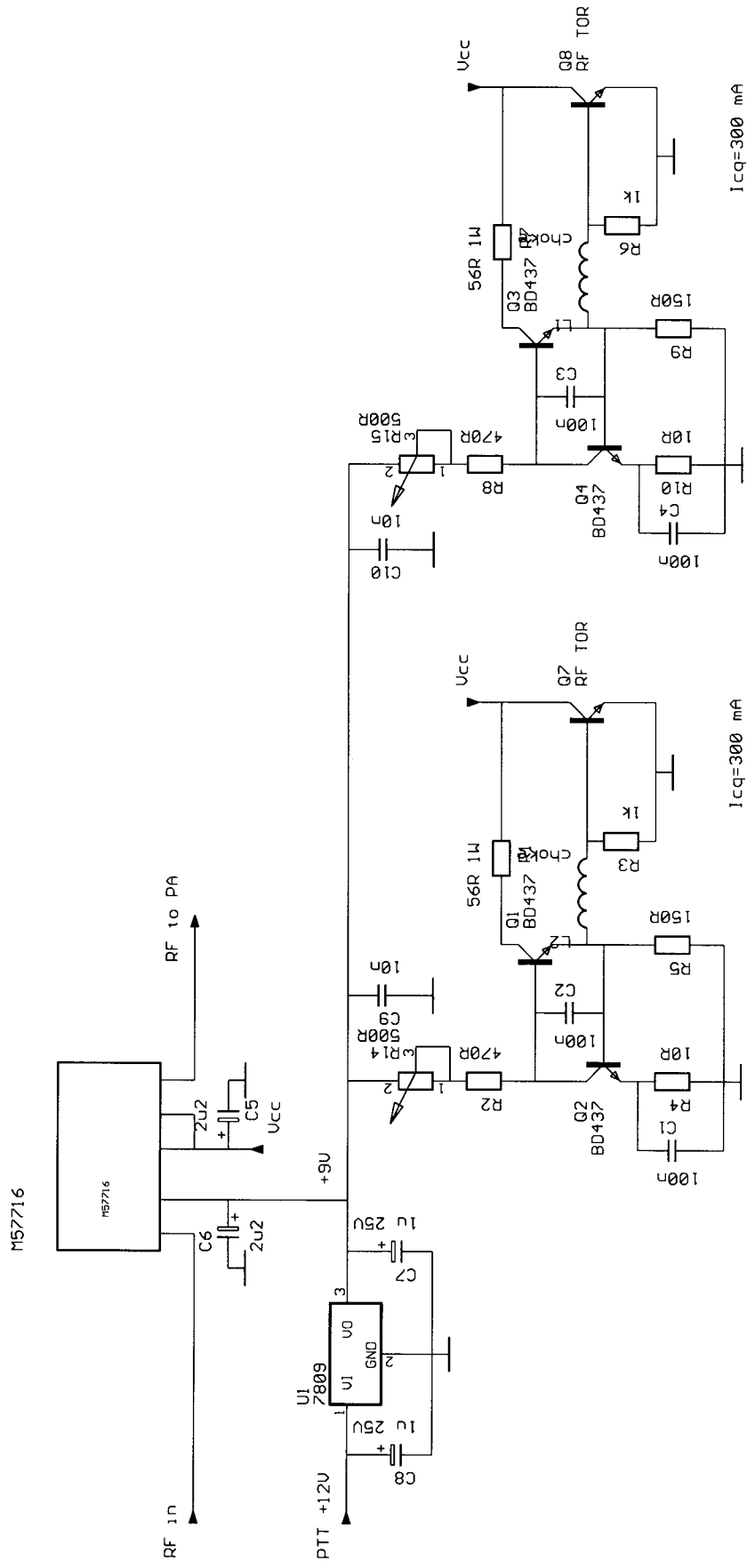


bias circuit Ericsson 70cm SSPA



DL3BPC March 2002